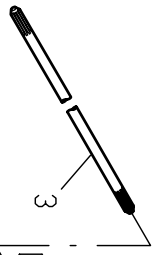
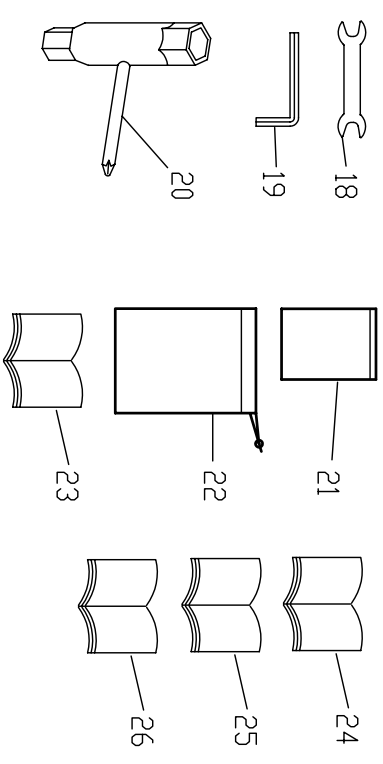
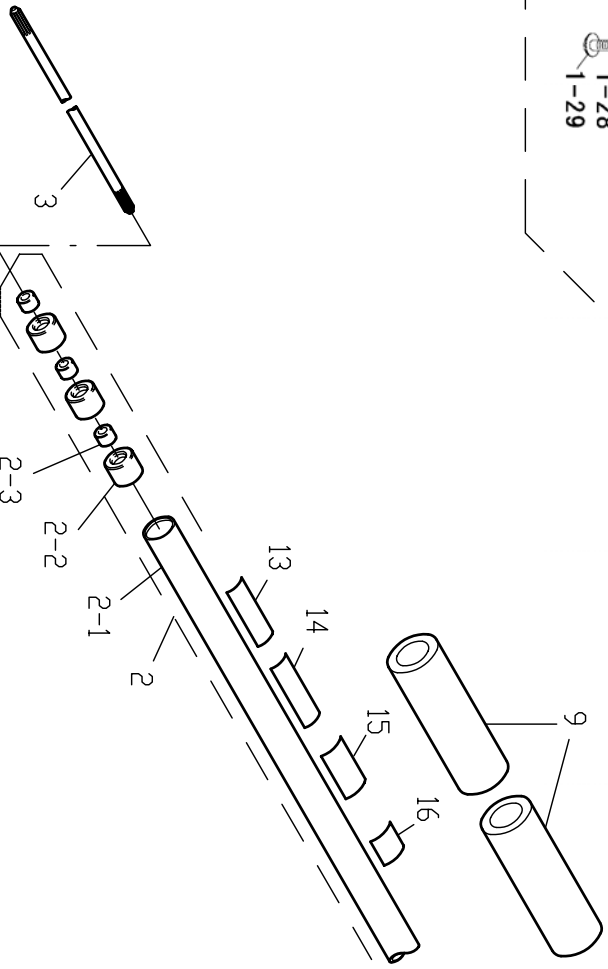
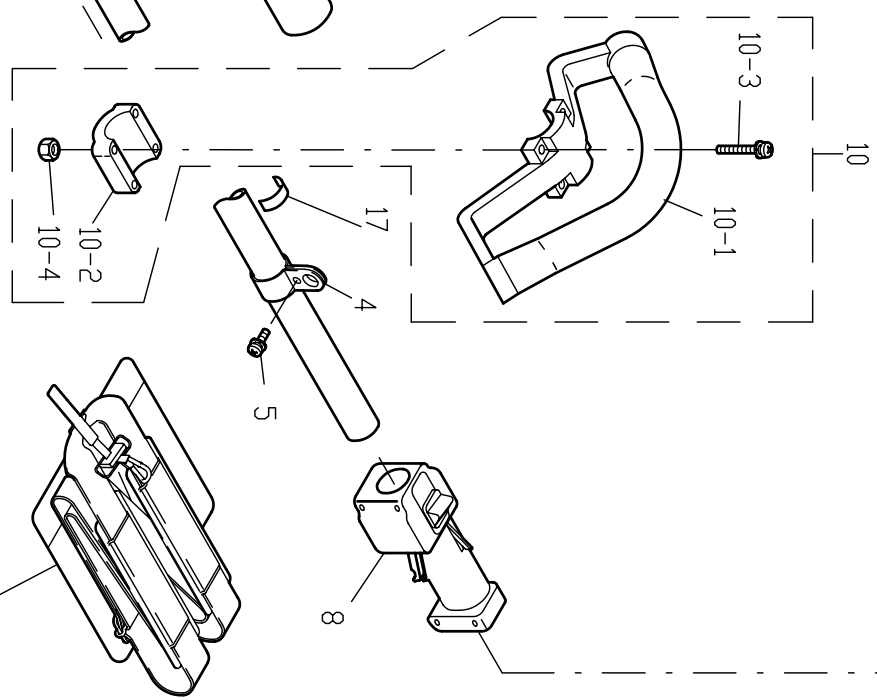
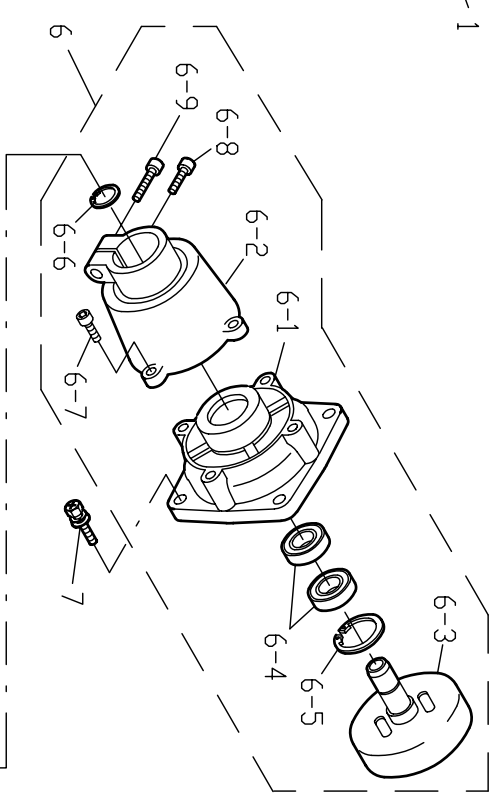
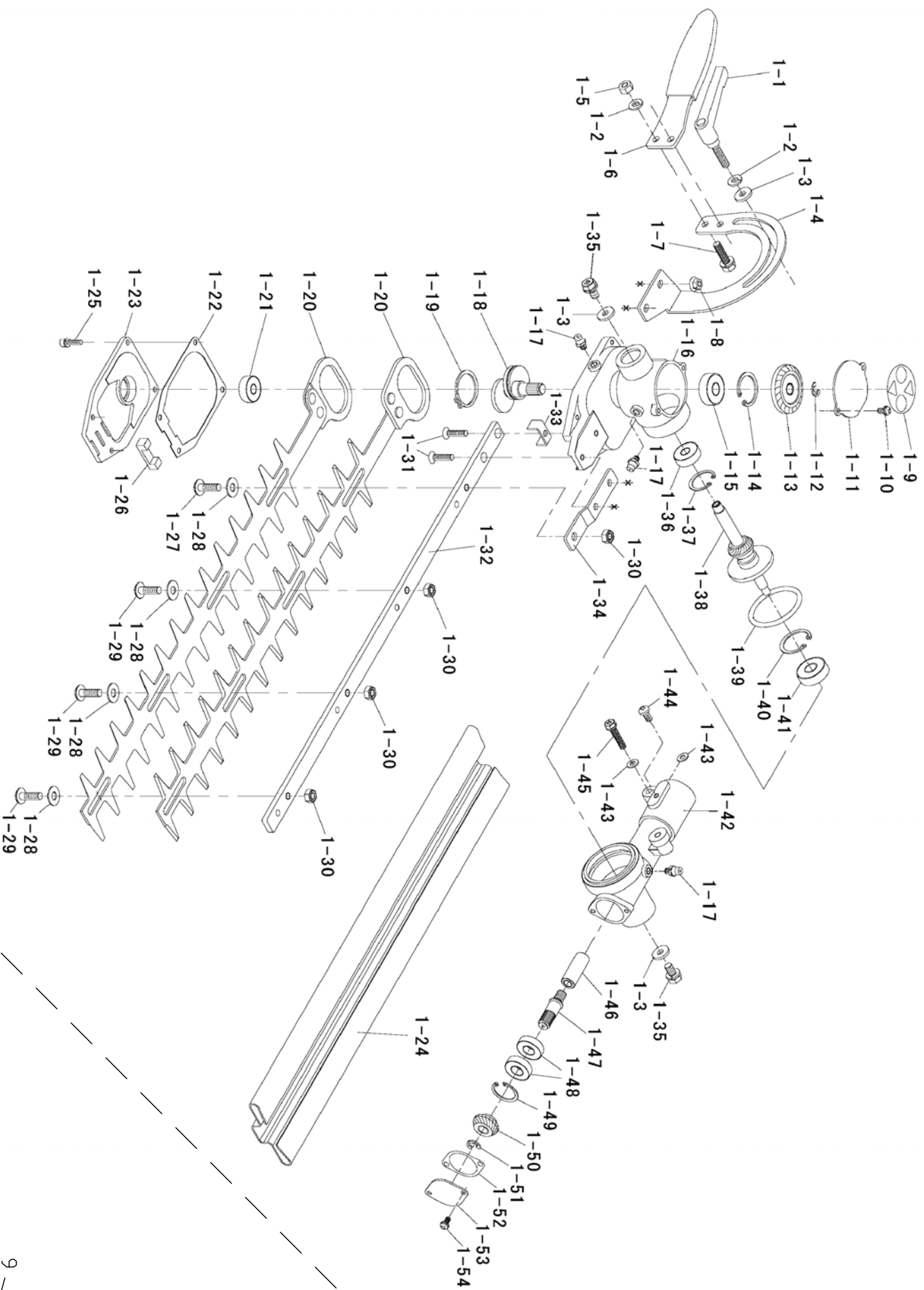


PHT950, PHT1550

0503



HEAD PART OF POLE HEDGE TRIMMER MODEL PHT950 / 1550 / 1560 1560E VER.2.0 NOV.2008

REF.NO	PARTS CODE	DESCRIPTION	QTY	
1-1	R034-000900	LEVER,CLAMP	1	
1-2	K210-060000	WASHER M6	3	
1-3	K207-060209	WASHER 6x15x2.0	3	
1-4	A224-145003	ANGLE ADJUSTER 135°	1	
1-5	K150-060000	NUT M6	2	
1-6	A224-141003	HANDLE	1	
1-7	K054-060220	BOLT M6x22	2	
1-8	K162-050000	NUT M5	2	
1-9	A052-172004	LABEL	1	
1-10	K016-040080	SCREW	2	
1-11	A196-112004	COVER	1	
1-12	K280-006000	SNAP RING	1	
1-13	A023-500444	BEVEL GEAR	1	
1-14	K282-026000	SNAP RING	1	
1-15	K354-060000	BEARING 6000	1	
1-16	A224-148002	CASING A	1	
1-17	R055-000100	GREASE FITTING	3	
1-18	A024-000053	CRANK SHAFT	1	
1-19	K283-028000	SNAP RING	1	
1-20	A224-128009	BLADE 400mm LENGTH	2	
	A224-139009	BLADE 600mm LENGTH	2	
1-21	K353-006080	BEARING 608Z	1	
1-22	A224-154004	PACKING	1	
1-23	A224-153003	COVER	1	
1-24	A028-200009	BLADE COVER 400mm	1	
	A028-200029	BLADE COVER 600mm	1	
1-25	K081-040121	BOLT M4x12	4	
1-26	A224-112004	FELT	1	
1-27	A040-002009	SCREW L19	1	
1-28	008-250	WASHER	4	
1-29	A040-001009	SCREW L17	3	
1-30	K164-060000	NUT M6	4	
1-31	K031-050200	SCREW M5x20	2	
1-32	A224-107003	GUIDE PLATE 400mm	1	
	A224-140003	GUIDE PLATE 600mm	1	
1-33	A224-131004	PLATE	1	
1-34	A224-108004	PLATE	1	
1-35	K054-060120	BOLT M6x12	2	
1-36	K354-006080	BEARING 608 2RS	1	
1-37	K282-022000	SNAP RING	1	
1-38	A224-130004	GEAR SHAFT	1	
1-39	K440-P41000	O-RING P41	1	
1-40	K282-026000	SNAP RING	1	
1-41	K354-060000	BEARING 6000	1	
1-42	A224-161000	CASING D	1	
1-43	K200-050000	WASHER 5x10x1.0	2	
1-44	K010-050100	SCREW M5x10	1	
1-45	K054-050250	BOLT M5x25	1	
1-46	A224-110004	JOINT	1	
1-47	A196-109004	GEAR SHAFT B	1	
1-48	K352-069000	BEARING 6900RS	2	
1-49	K282-022000	SNAP RING	1	
1-50	A023-500434	BEVEL GEAR	1	
1-51	K280-006000	SNAP RING	1	
1-52	A196-114004	PACKING	1	
1-53	A196-113004	COVER	1	
1-54	K016-040080	SCREW M4x8	2	

REF NO.	PARTS NUMBER	DESCRIPTION	QTY	REMARKS
2	800200557	DRIVE SHAFT HOUSING ASSY	1	φ24×1550
2-1	800200485	DRIVE SHAFT HOUSING	1	φ24×1550
2-2	801675694	METAL CUSION	6	
2-3	801675695	OIL METAL	6	
3	801675696	DRIVE SHAFT	1	
4	800200000	HANGER STRAP STEM	1	24
5	800024420	SCREW	1	M6×12 (+)2P
6	800200544	CLUTCH HOUSING ASSY	1	
6-3	800200538	CLUTCH DRUM	1	
6-4	801676309	BEARING	2	6001ZZ
6-5	800200539	STOP RING	1	C-28
6-6	800200540	STOP RING	1	S-12
6-7	800200541	CAP BOLT	4	M5×14 2P
6-8	800200542	CAP BOLT	1	M5×12 2P
6-9	800200543	CAP BOLT	1	M5×20 2P
7	800018060	BOLT	4	M6×20 (+)3P
8	801685470	THROTTLE LEVER ASSY	1	24
9	800201090	GRIP	2	
10	801681482	HANDLE ASSY	1	24
11	801667187	HARNESS ASSY	1	
12	800200556	TUBE	1	φ13×120
13	801689070	LABEL	1	50×20 「CE」
14	801655768	LABEL	1	55×20
15	801690664	LABEL	1	25×40 PHT-1550
16	800200081	LABEL	1	40×36 「106dB」
17	800200019	LABEL	1	7×35
18	801654103	SPANNER	1	10×8
19	801652150	SPANNER	1	4
20	800130300	BOX SPANNER	1	13
21	800200025	BAG	1	118×168
22	800200026	BAG	1	370×270
24	800201743	MANUAL	1	ENGLISH(TJ27)
25	800201744	MANUAL	1	FRENCH(TJ27)
26	800201745	MANUAL	1	DUTCH(TJ27)